

# AXIAL FANS

## ASPIRVELO SERIES

- ➔ Suitable to extract the air directly outside or into short ducts
- ➔ Short mounting depth
- ➔ Suitable for wall, ceiling and window installation



Ø 100 - 120 - 150 mm



IPX4 CE

### DESCRIPTION:

Aspirvelo series, with their modern and unique design, makes them suitable for any civil and commercial environment, for intermittent or continuous ventilation of bathrooms, kitchens, laundries, offices and shops.

All models of the Aspirvelo series can be installed on windows, thanks to an optional unique kit.

The short mounting depth makes them ideal for installation in wall ducts close to pipe bends.

### MAIN FEATURES:

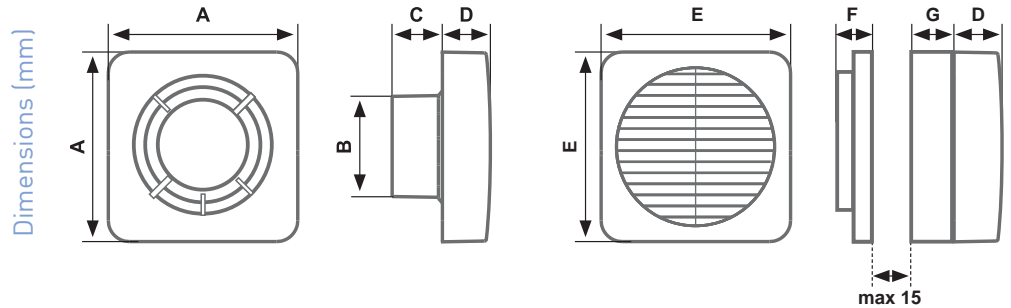
- Manufactured in anti-UV and antistatic ABS plastic.
- Induction motor with thermal cut out - F Insulation Class
- Maximum ambient temperature 45°C
- Timer version: overrun timer adjustable from 45 sec. to 20 minutes
- HT version: humidity sensor adjustable from 40%RH to 80%RH.

### ACCESSORIES:

- Window Kit
- Timer to be fit on standard models
- External gravity shutter
- External fixed grille

# DIMENSIONS

MODEL	WALL installation				WINDOW installation		
	A	ØB	C	D	E	F	G
ASPIRVELO 10/4"	180	97,5	47	41,5	180	33,5	29
ASPIRVELO 12/5"		118	54				
ASPIRVELO 15/6"		150	61				



## TECHNICAL SPECIFICATIONS

### STANDARD - S

CODE	MODEL	m <sup>3</sup> /h	Pt max mmH <sub>2</sub> O	W	A	V~	Hz	dB(A) 1,5 mt	Kg
AP3000	ASPIRVELO 10/4"	87	4,0	19	0,09	230V	50Hz	42	0,62
AP3002	ASPIRVELO 12/5"	195	6,5	26	0,10	230V	50Hz	50	0,70
AP3004	ASPIRVELO 15/6"	260	5,9	32	0,14	230V	50Hz	52	0,85

### WITH ELECTRONIC TIMER - T

The fan starts operating when the light is switched-on and continuous to work for a programmable period of time (with a trimmer) between 45 seconds and 20 minutes after the light is switched-off.

CODE	MODEL	m <sup>3</sup> /h	Pt max mmH <sub>2</sub> O	W	A	V~	Hz	dB(A) 1,5 mt	Kg
AP3010	ASPIRVELO 10/4" T	87	4,0	19	0,09	230V	50Hz	42	0,62
AP3012	ASPIRVELO 12/5" T	195	6,5	26	0,10	230V	50Hz	50	0,70
AP3014	ASPIRVELO 15/6" T	260	5,9	32	0,14	230V	50Hz	52	0,85

### WITH AUTOMATIC HUMIDITY CONTROL - HT

The fan automatically starts operating when the RH relative humidity level in the room exceeds the pre-set value and continuous to work until the RH level returns below the pre-set threshold. When this threshold is reached, TIMER function allows the extractor fan to continue working for a programmable period of time from about 45 seconds to 20 minutes to further reduce the humidity value in the room. RH can be set from a minimum value of 40%RH to a maximum value of 80%RH. This extractor fan can be used manually, also using the TIMER function.

CODE	MODEL	m <sup>3</sup> /h	Pt max mmH <sub>2</sub> O	W	A	V~	Hz	dB(A) 1,5 mt	Kg
AP3020	ASPIRVELO 10/4" HT	87	4,0	19	0,09	230V	50Hz	42	0,62
AP3022	ASPIRVELO 12/5" HT	195	6,5	26	0,10	230V	50Hz	50	0,70
AP3024	ASPIRVELO 15/6" HT	260	5,9	32	0,14	230V	50Hz	52	0,85

## ACCESSORIES

### WINDOW KIT APPLICATION

It allows an easy and safety installation on a single or double glazing window of thermopan type, up to a maximum thickness of 15 mm.

CODE MODEL

For use with

AP0900 ASPIRKIT VETRO N

all models ASPIRVELO series



### TIMER

It allows the fan to start operating when the light is switched-on and continuous to work for a programmable period of time (with a trimmer) between 45 seconds and 20 minutes after the light is switched-off.

CODE MODEL

For use with

AP0904 ASPIRTIMER N

all models ASPIREVELO 10/4" - 12/5" - 15/6

### TIMER WITH HUMIDITY CONTROL

It allows the fan to start operating when the RH relative humidity level in the room exceeds the pre-set value and continuous to work until the RH level returns below the pre-set threshold. When this threshold is reached, TIMER function allows the extractor fan to continue working for a programmable period of time from about 45 seconds to 20 minutes to further reduce the relative humidity in the room. RH can be set from a minimum value of 40%RH to a maximum value of 80%RH. This extractor fan can be used manually, also using the TIMER function.

CODE MODEL

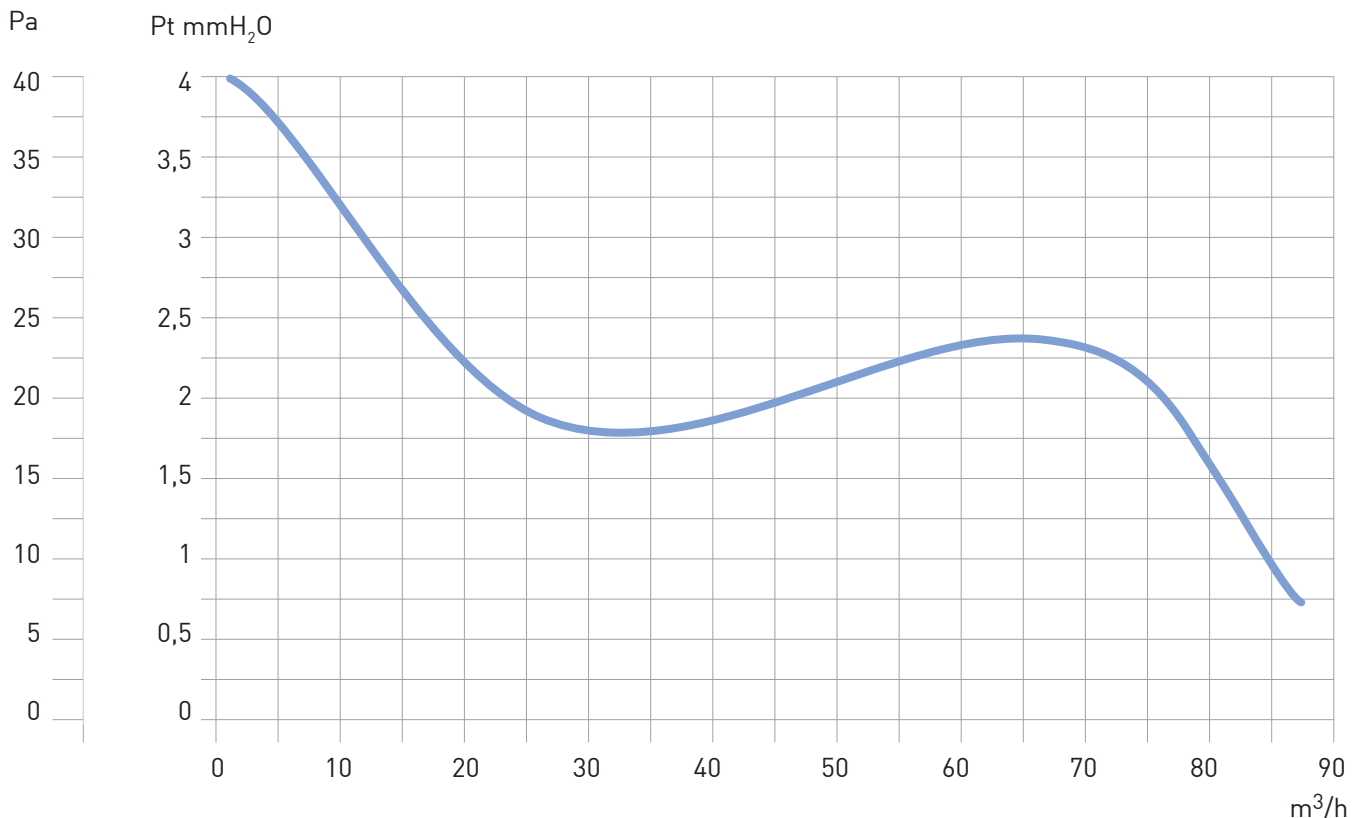
For use with

AP0906 ASPIRHYGRO TIMER

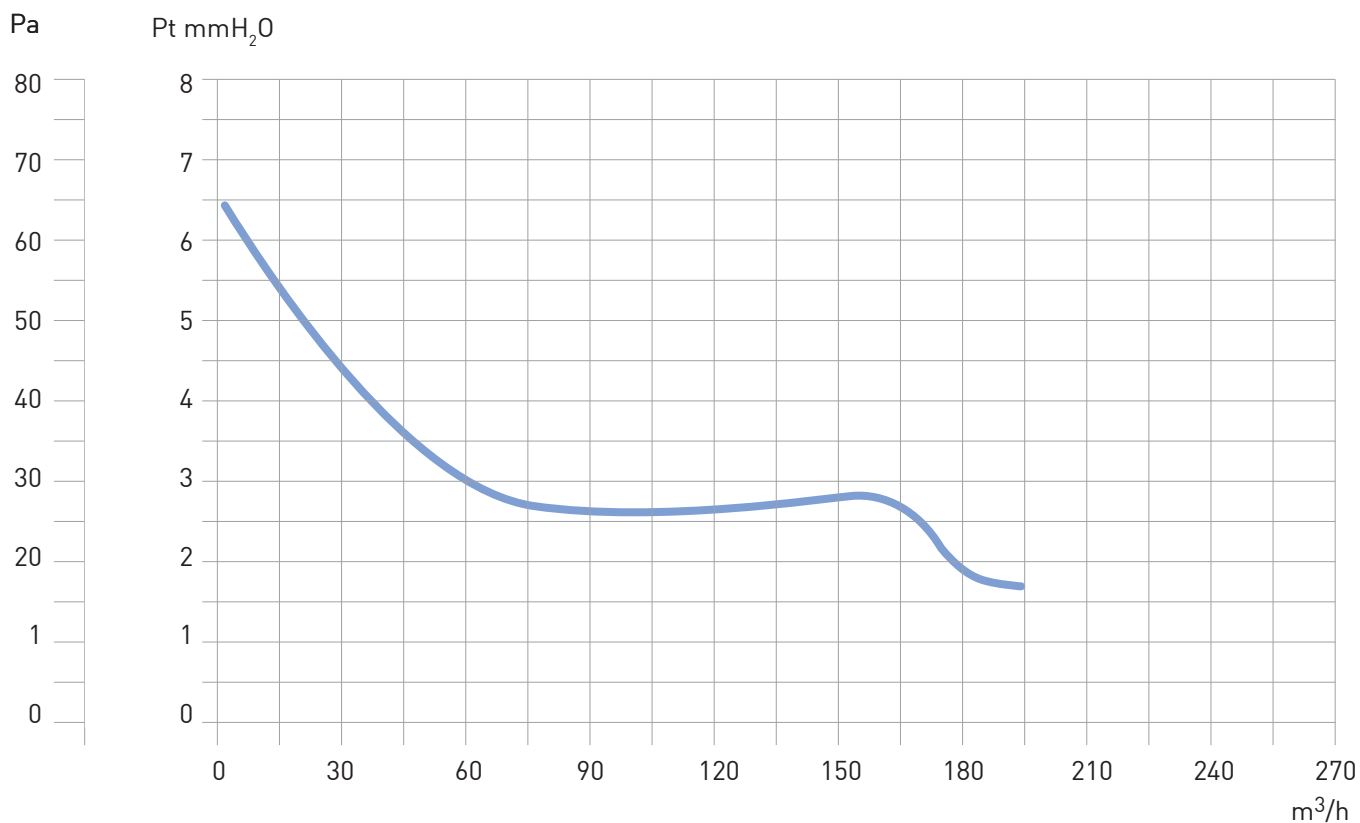
all models ASPIRVELO 10/4" - 12/5" - 15/6

## CHARACTERISTIC CURVES

### ASPIRVELO 10/4" SERIES



## ASPIRVELO 12/5" SERIES



## ASPIRVELO 15/6" SERIES

